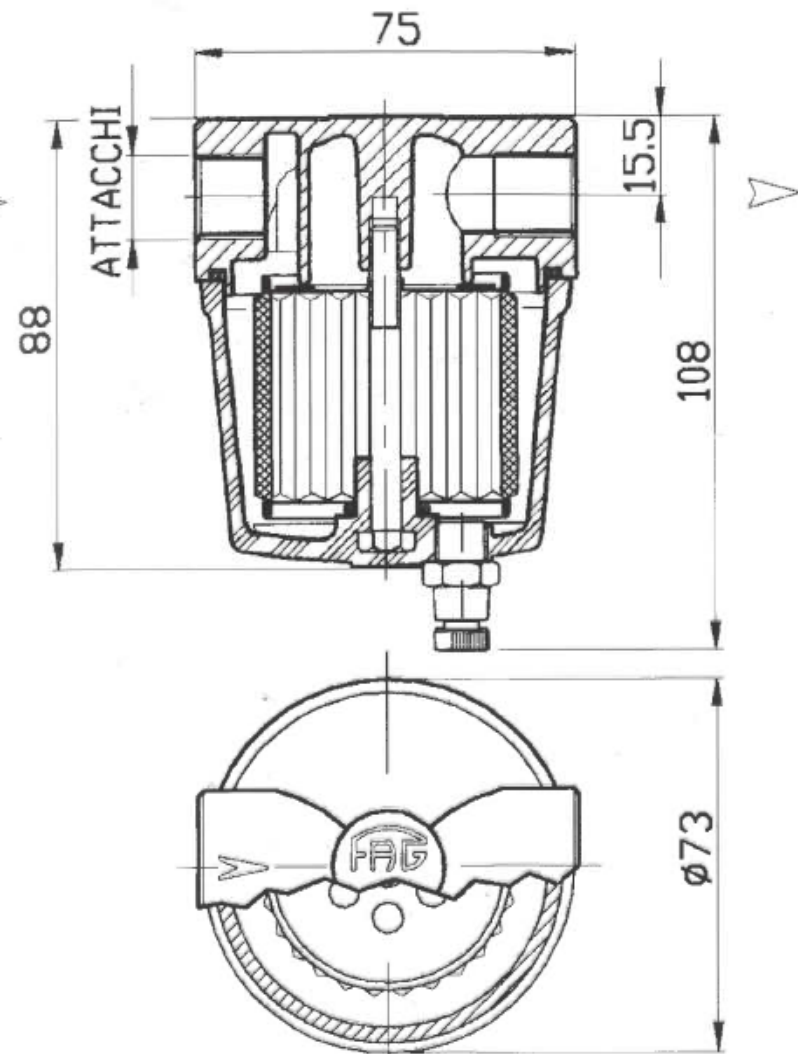


FILTRI PER GASOLIO CON VALVOLA DI SPURGO

serie **20210**



- Cartuccia filtrante in acciaio inox, filtrazione 100 μm - 44 μm
- Cartuccia filtrante in carta, filtrazione 15 μm
- Coperchio in alluminio EN AB 46100
- Vaschetta in alluminio EN AB 46100 o in materiale plastico trasparente TENITE BUTYRATE
- Tutti i filtri sono collaudati al 100%
- Filtri con vaschetta in plastica: pressione max di lavoro 1 bar

DIESEL OIL FILTERS WITH WATER DRAIN VALVE

series **20210**

- Stainless steel mesh filter cartridge, 100 μm - 44 μm filtration grade
- Paper filter cartridge, 15 μm filtration grade
- Cover made of aluminium EN 46100
- Bowl made of aluminium EN 46100 or plastic material TENITE BUTYRATE
- All filters are tested for tightness
- Filters with plastic bowl: max. operating pressure 1 bar

ARTICOLO - ARTICLE VASC. PLASTICA	ATTACCHI CONNECTIONS	CARTUCCIA FILTRANTE FILTER CARTRIDGE	TIPO - SUPERF. FILTRANTE TYPE - FILTERING SURFACE
20211/PL	3/8" - 3/8"	20201/C1 100 μm	INOX GRECATA - cm ² 105
20212/PL	1/2" - 1/2"		