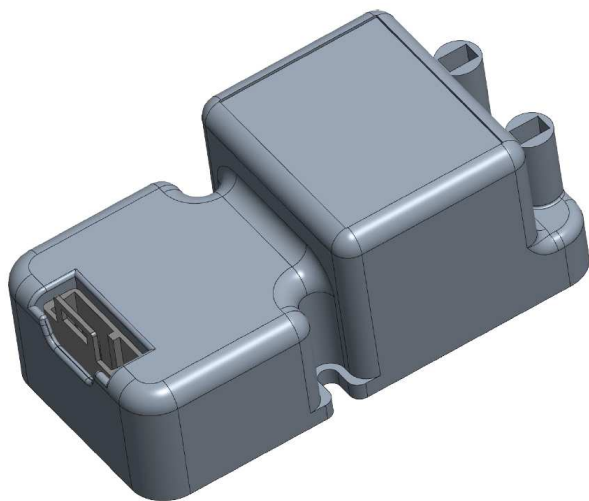


IGNITION TRANSFORMERS Type TSM



DESCRIPTION

The capacitive-discharge ignition transformers type TSM are generally used for the ignition of premix gas burners for condensing boilers.

Despite their small dimensions, these transformers are provided with a high ignition power, and they also incorporate a filter against conducted interference.

The transformers can be fitted to the flame control and safety devices which are provided with an output at a specified mains voltage for the control of the ignition transformer, such as the BRAHMA control boxes type CM32PR, MT11/MT31, MT191/MT391, as well as the microcontroller-based control boxes type DM...PR.

TECHNICAL DATA

- Operating voltage	220-240V / 50-60Hz
upon request	110-120V / 50-60Hz
- Operating temperature range	-20°C +60°C
- Protection degree	IP00
- Recommended distance between the electrodes:	
	3÷5 mm
- Max. supply cable length	1 m
- Max. ignition cable length	2 m
- Weight	140gr
- Output peak voltage	15kV
- Output peak current with short circuit secondary	250mA _p
- Output effective current with short circuit secondary	15mA _{RMS}
- Spark frequency	200Hz
- Duty cycle in 2 minutes	see Fig. 6
- External fuse rating (fig.4-5)	80mA-250V-Fast(F)

OVERALL DIMENSIONS

The transformers can be fixed using 2,9 mm screws type UNI 6954 AB or DIN 7981 B. The figure below shows the main overall dimensions including the fixing wheel base.

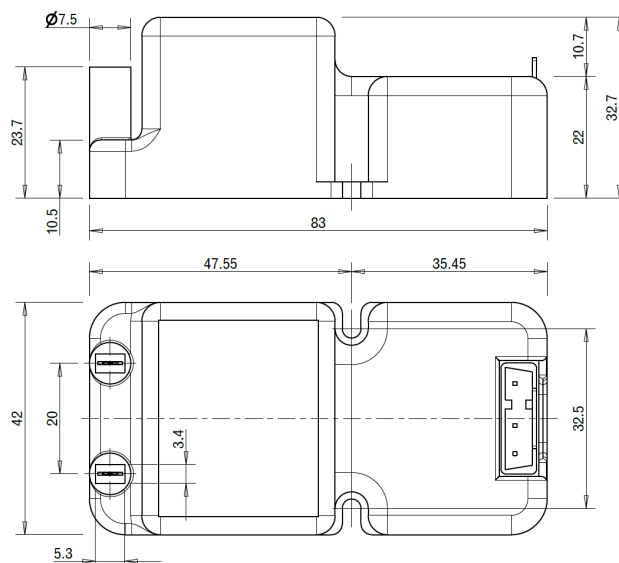


Fig. 1

CONNECTION

The power supply connection of the ignition transformer occurs by means of WURTH-STELVIO-KONTEK 3-way connectors; the high voltage part is connected by means of 2,8X0,5 fast-on connectors. The following figures show the connectors and the wiring diagram.



Fig. 2

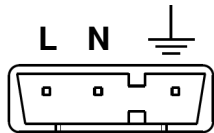


Fig. 3

Some control boxes, like for example types MT..., are prearranged to work with one electrode only for both ignition and flame detection. In such cases, the wiring diagram changes as follows:

Connection diagrams for mono-electrode ionization flame sense applications

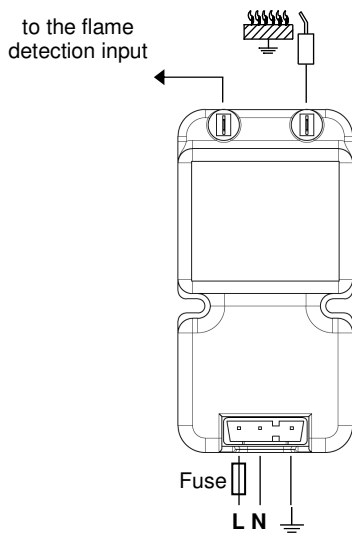


Fig. 4

INSTALLATION

- Connect and disconnect the ignition transformer only after switching off power supply.
- Respect the applicable national and European standards (e.g. EN 60335-1 / EN 60335-2-102) regarding electrical safety.
- Connect a 80mA-250V-FAST (F) protection fuse in series to the live conductor of the power supply.
- Make sure the earth of the transformer and the earth of the electrical system are well connected. The device can be mounted in any position.
- Avoid placing high voltage cables close to other cables.
- Make sure the protection degree is suitable to the system.
- Reduce the ignition cable length to a minimum (this reduces stray capacitance and the possibility that the ignition cable acts like an antenna transferring interference to the nearby cables).
- Make ignition cables follow a separate path close to ground planes (this reduces the influence of interference on the remaining electrical wires).
- Arrange a single earth centre, thus preventing earth conductors from creating ring paths.

Connection diagrams for bi-electrode ionization flame sense applications

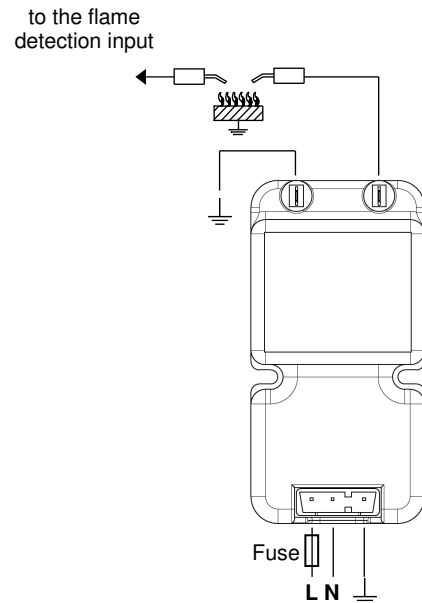


Fig. 5

DUTY-CYCLE DERATING CURVE

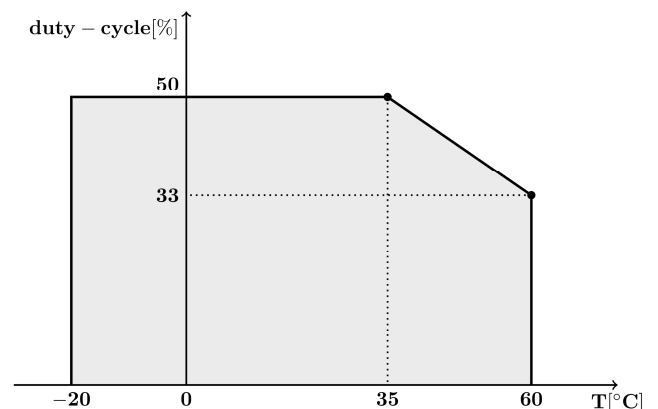


Fig. 6



NOTES ABOUT PRODUCT DISPOSAL

The device contains electronic components and cannot therefore be disposed of as normal household waste. For the disposal procedure, please refer to the local rules in force for special waste.

ATTENTION → Brahma S.p.A. accepts no responsibility for any damage resulting from customer tampering with the product.

BRAHMA S.p.A.
 Via del Pontiere, 31/32
 37045 Legnago (VR) - ITALY
 Tel. +39 0442 635211 - Fax +39 0442 25683
 http://www.brahma.it - E-mail: brahma@brahma.it

09/02/2022 Subject to amendments without notice