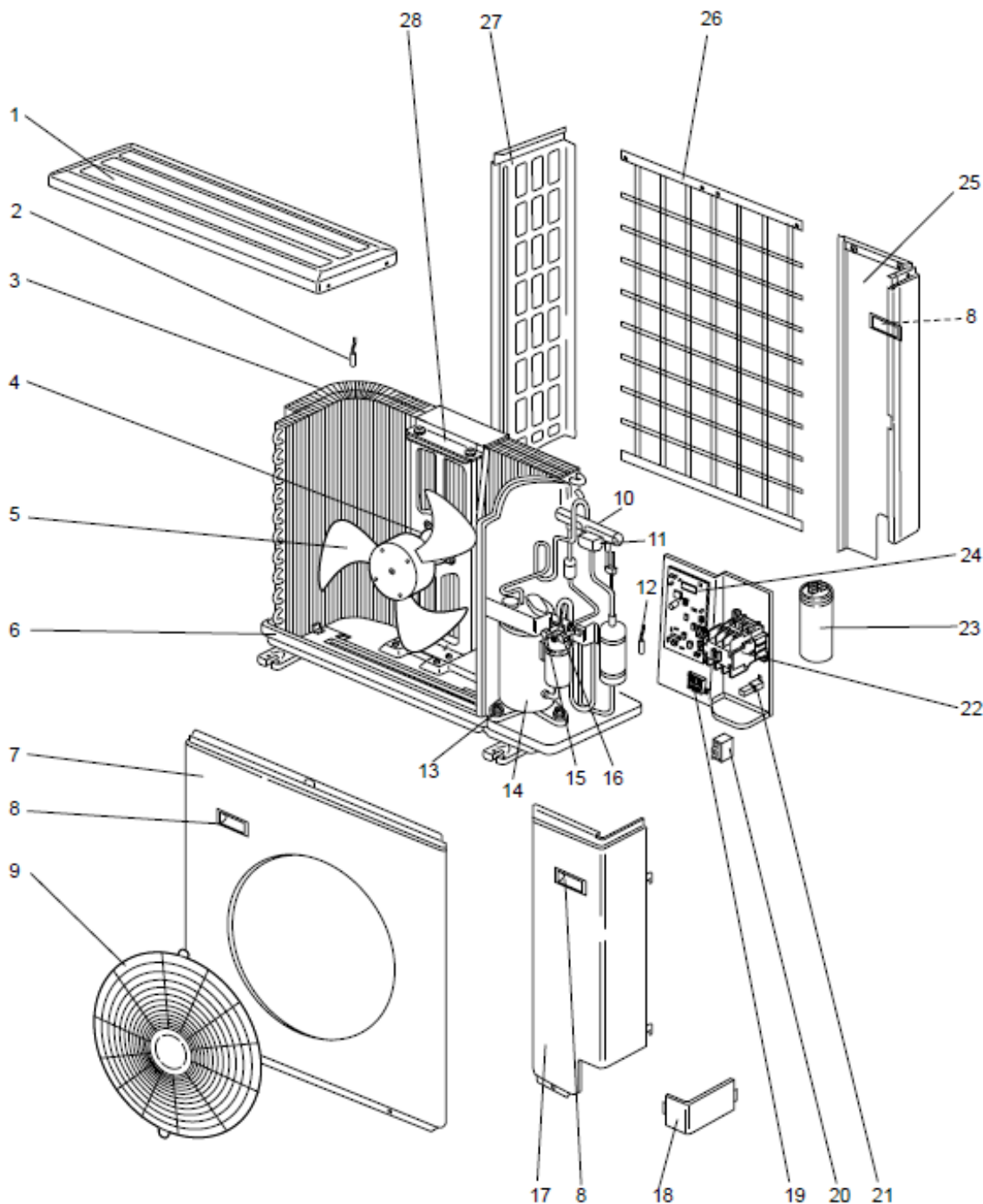


MUH-24RV -E1

13-6. OUTDOOR UNIT STRUCTURAL PARTS, ELECTRICAL PARTS AND FUNCTIONAL PARTS



No.	Part No.	RoHS	SAP	Part Name	Specifications	Qty	Remarks	Wiring diagram symbol
1	E02214297		63000	TOP PANEL MUCFH-24-NVE2		1		
2	E02578309		138721	THERMISTOR MU(H)		1		RT63
3	E02 214 630		84052	OUTDOOR HEAT EXCHANGER		1		

The Spare Parts Database is maintained with great care. Nonetheless, errors cannot be completely ruled out. If you notice an error, please let us know. We reserve the right to make technical changes.

Mitsubishi Electric Spare Parts



4	E02214301	62898	FAN MOTOR MUCFH-NVE2 <2121		1	RA6V85-__	MF
5	E02214501	62900	PROPELLER FAN MUCFH <191266>		1		
6	E02 214 290	84045	BASE		1		
7	E02214232	84042	CABINET MUCFH 24NV		1		
8	E07001009	138783	HANDLE MU(H)18,24,30RV-E1		3		
9	E02527521	138722	FAN GUARD MU(H)<192369>		1		
10	E02444961	103545	REVERSING VALVE <56635 <213		1		
11	E02529490	138723	REVERSING VAL COIL MU(H)<NLA>		1		21S4
12	E02529310	138724	THERMISTOR DEFR MU(H)<2227		1		RT61
13	E02138506	59864	RUBBER SET (4pc) MU-18-NVE4	4RUBBER	4		
14	E02042900	70200	COMPRESSOR MU-24-NVE2 <19	NH-47VMDT	1		MC
15	E02 527 662	138726	STOP VALVE (LIQUID)		1	d9.52	
16	E02 527 661	138727	STOP VALVE (GAS)		1	d15.88	
17	E02 214 245	84043	SERVICE PANEL		1		
18	E07 001 006	104127	COVER PANEL		1		
19	E02 540 374		TERMINAL BLOCK		1	4P	TB
20	E02138351	59829	CAPACITOR 3mF MU-18-NV <192	3.0µF 440VAC	1		C2
21	E02128383	272059	SURGE ABSOR MU-07-RVE1<NLA>		1		DSAR
22	E02010342	83911	COMP CONTACTOR MUCF/H <20		1		52C
23	E02082353	64796	CAPACITOR 50µF MU-NVE4 <204	20µF-440VAC	1		C1
24	E02578451	138522	DEICER PCB MUCFH-24NV-E3<N		1		
25	E02 214 522	84051	REAR PANEL		1		
26	E02 605 523	222481	REAR GUARD		1		
27	E02 214 249	84044	SIDE PANEL		1		
28	E02 527 515	222469	MOTOR SUPPORT		1		
29	E02127382	83949	FUSE MSH18NV <192290>	250/3.15A	1		F61
30	E02 214 642	104180	CHECK VALVE		1		
31	E02214386	70786	SURGE ABSORBER MUCFH-24-NVE2		1		CZ
32	E02176936	84023	CAPILLARY TUBE MUCF/H <2133		1	d3.0 x d1.6 x 350	
32	E02 256 936	84064	CAPILLARY TUBE		1	d3.0 x d2.0 x 350	
32	E02 262 936	84067	CAPILLARY TUBE		1	d4.0 x d2.4 x 200	
33	E02214644	138728	REGULATOR MU(H)<NLA>		1	2.30MPa (23.5kgf/cm ³) OPEN	

The Spare Parts Database is maintained with great care. Nonetheless, errors cannot be completely ruled out. If you notice an error, please let us know. We reserve the right to make technical changes.