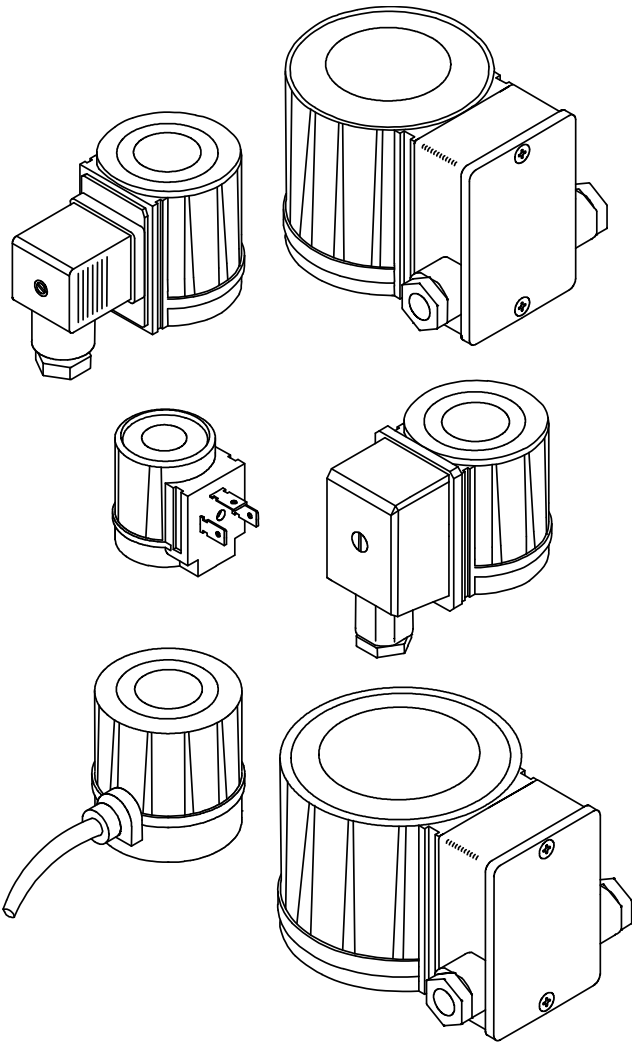


BE... SERIES

COILS FOR SOLENOID VALVES

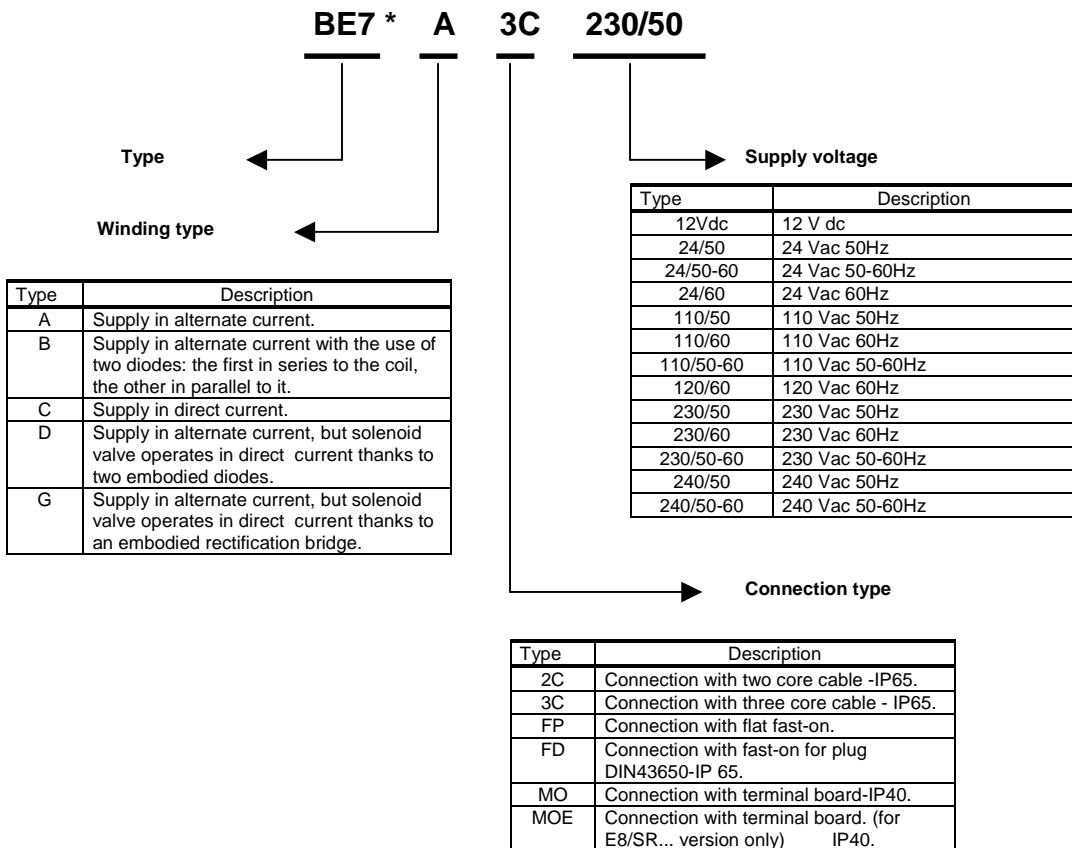
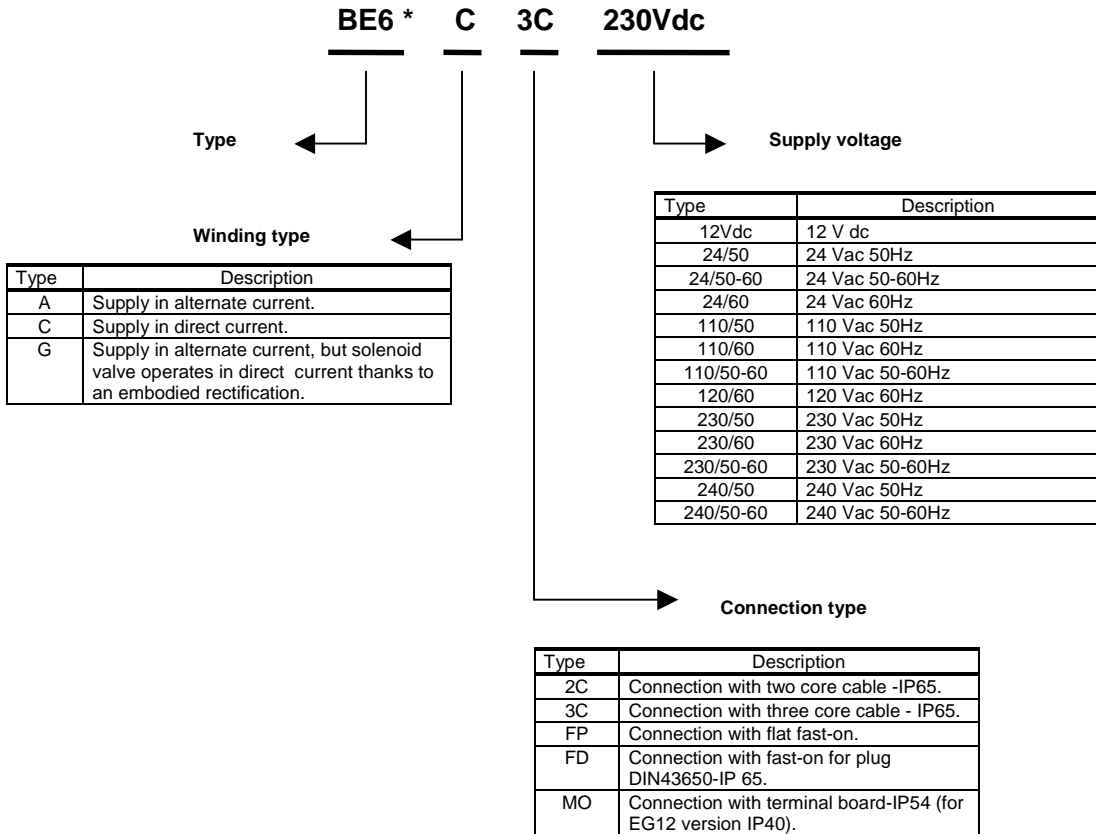


GENERAL DESCRIPTION

BE... type, identifies a group of coils which can be supplied with alternate or direct current, proper to fit any kind of valves in our range of products, suitable for gas, water, steam and liquid fuel in general (on this subject, see technical notes about solenoid valves).

Coils are essentially divided into four groups, different from each other for size, consumption and model of solenoid valve they are suitable to fit.

TYPE REFERENCE



BE8* G MO 230/50-60

Type

Body type

Type	Description
G	Supply in alternate current, but solenoid valve operates in direct current thanks to an embodied rectification bridge.
C	Supply in direct current

Supply voltage

Type	Description
110/50-60	110 Vac 50-60 Hz
230/50-60	230 Vac 50-60 Hz
240/50-60	240 Vac 50-60 Hz
24/50-60	24 Vac 50-60 Hz

Connection type

Type	Description
MO	Connection with terminal board – IP54
2C	Connection with two core cable – IP65

BE9 * G MO 230/50-60

Type

Body type

Type	Description
G	Supply in alternate current, but solenoid valve operates in direct current thanks to an embodied rectification bridge.
C	Supply in direct current.

Supply voltage

Type	Description
110/50-60	110 Vac 50-60 Hz
230/50-60	230 Vac 50-60 Hz
240/50-60	240 Vac 50-60 Hz
24/50-60	24 Vac 50-60 Hz

Connection type

Type	Description
MO	Connection with terminal board –IP54
2C	Connection with two core cable – IP65

BE10 * G MO 230/50-60

Type

Body type

Type	Description
G	Supply in alternate current, but solenoid valve operates in direct current thanks to an embodied rectification bridge.

Supply voltage

Type	Description
110/50-60	110 Vac 50-60 Hz
230/50-60	230 Vac 50-60 Hz
240/50-60	240 Vac 50-60 Hz

Connection type

Type	Description
MO	Connection with terminal board –IP40

OVERALL DIMENSIONS

