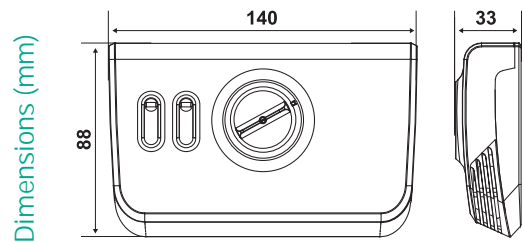


C60

Room thermostat supplied at 230V-50Hz

Electronic room thermostat, suitable for heating and cooling installations, for houses and offices. Used as well for direct control of the circulation pump, burner, air-conditioner, etc.

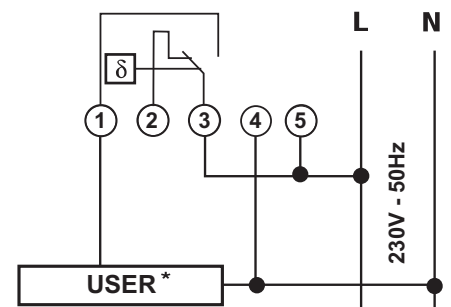


	Temperature regulation range	Differential*	Body admissible temperature	Power supply	Contacts rating	Protection degree
C60	6 ÷ 30 °C	0,5 K	-10 ÷ 50 °C	230V-50Hz	6(1,5)A 250Vac	IP20

* Differential values are referred to a thermal gradient of 4K/h.

ELECTRICAL FEATURES

Power supply 230V-50Hz.
Consumption 1VA.
Micro disconnection (1B).
Pulse voltage 4000V.
Voltage-free switching contact.



* PUMP, BURNER. ZONAL VALVE WITH SPRING RETURN.

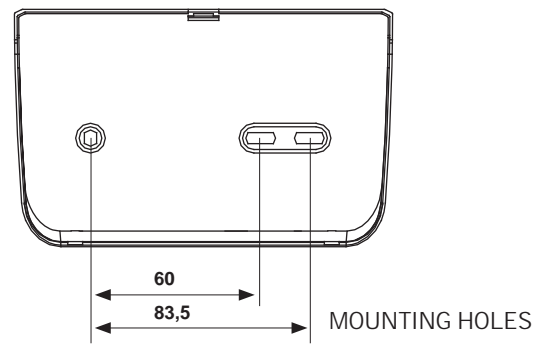
HOMOLOGATION AND STANDARDS

Complies with EN 60730-1 standards and corresponding parts
ErP Class I; 1% (Reg. EU 811/2013 - 813/2013)



INSTALLATION

Wall mounting or in 3-module embedded box or in round box.



OPERATION

In winter operating mode when the temperature increases, 3-1 contact opens and 3-2 contact closes. Terminal 2 is free and can be used for signaling or for other alarms.

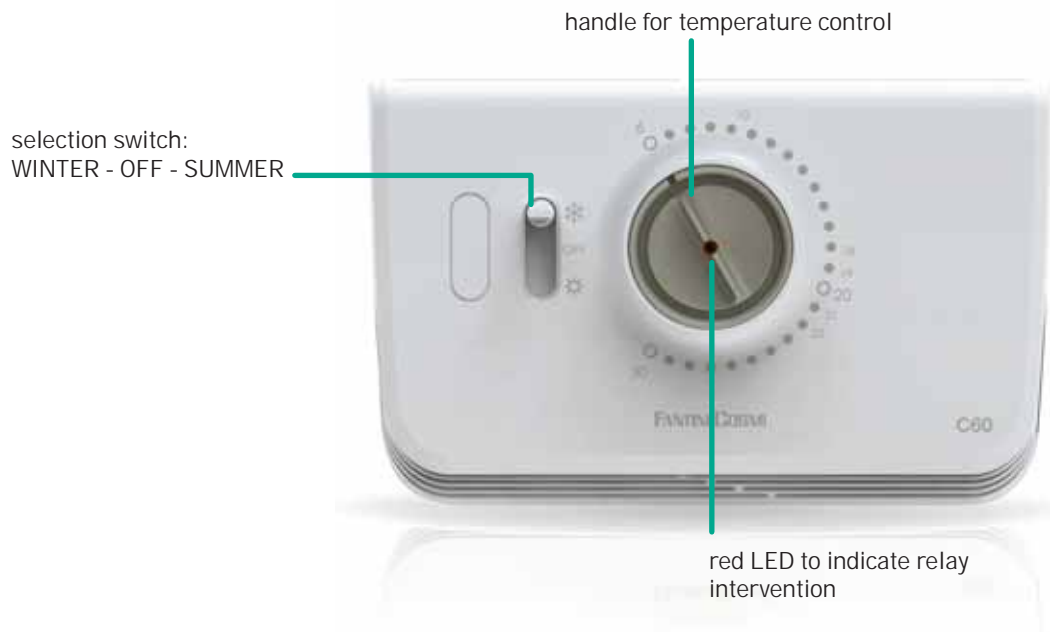
Sensitive element with NTC sensor.

The low differential makes the thermostat very sensible, which regulates with high precision the room temperature.

C60 has a switch that allows choosing the operation mode:

- ☀ SUMMER (for cooling installations);
- ❄ WINTER (for heating installations);
- OFF OFF (turns off the system completely).

The red LED indicates relay operation, in case of heating (switch stays in position "winter") or cooling (switch stays in position "summer").



FEATURES

Red LED to indicate relay intervention.

WINTER - OFF - SUMMER switch.

Pollution degree 2.

☐ double insulation.